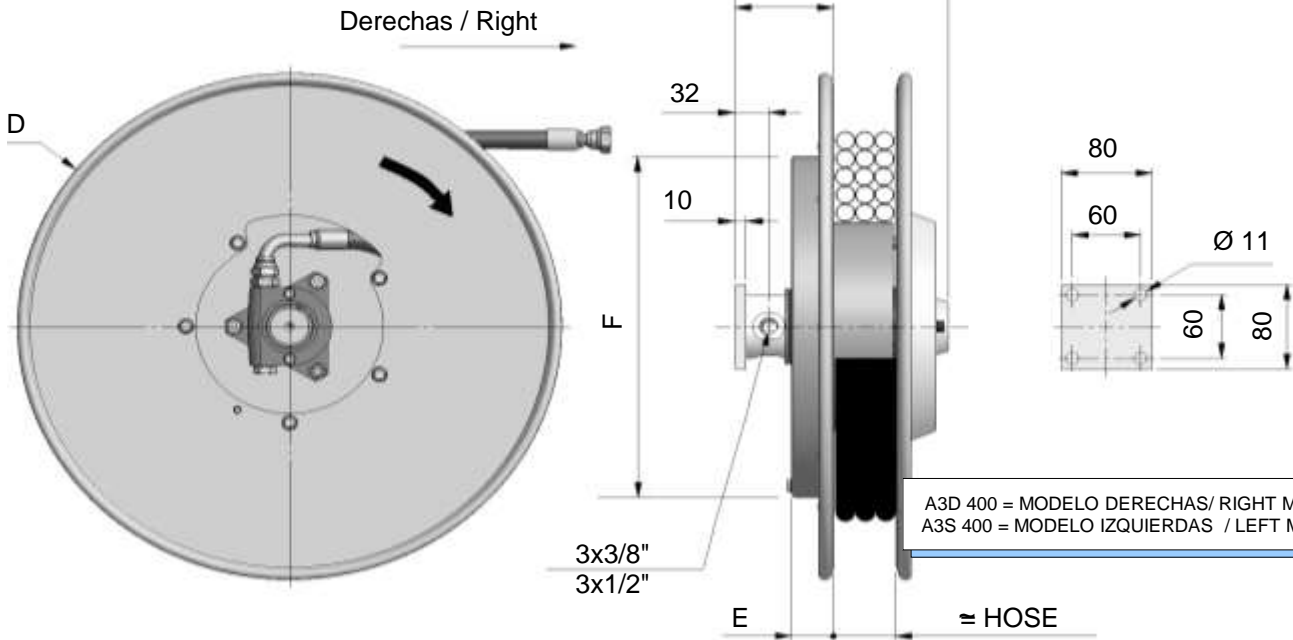
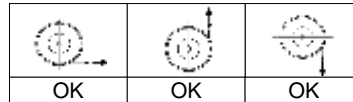




MAX
40 l/min

W. P. 300 bar
Option 400 bar

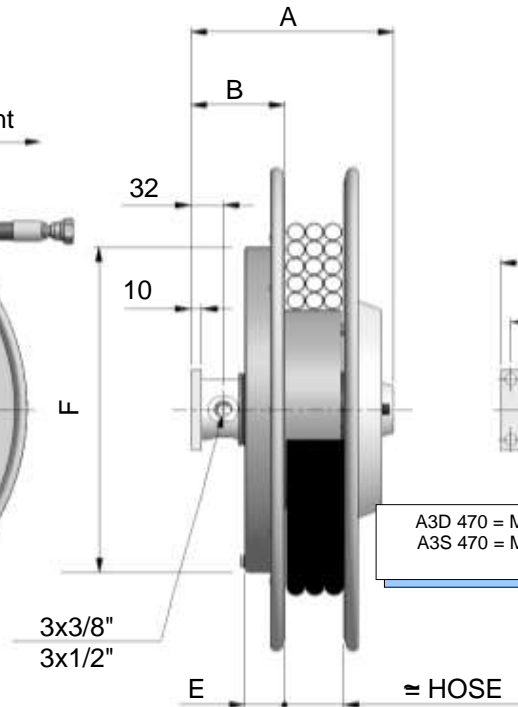
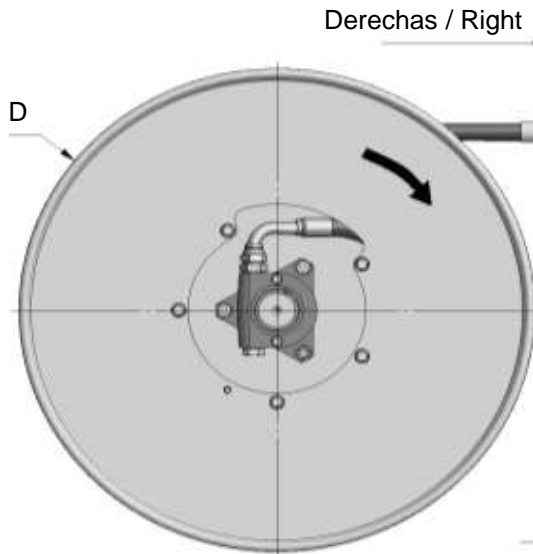
MAX.VELOCIDADES
PEED



Modelo derechas Right model	A	B	D	E	F	sin tubo without hose		Con tubo - with hose					
						EURO	Ø	Long.total	Long.util	R7	B1	B3	
								Total length	Usable length	XX=R7	XX=B1	XX=B3	
mm								m		EURO	EURO	EURO	
A3D295.06.XX	185	87	295	37	272	635,00	1/4"	3,0	2,7	749,47	776,69	-	
A3D295.08.XX								2,3	2,0	759,72	773,27	-	
A3D295.10.XX								2,3	2,0	-	858,21	792,20	-
A3D295.12.XX								1,5	1,2	-	996,40	876,62	-
A3D320.06.XX	185	87	325	37	272	645,00	1/4"	4,0	3,7	781,02	817,31	-	
A3D320.08.XX								3,2	2,9	795,62	814,55	-	
A3D320.10.XX								3,3	3,0	-	952,88	844,27	-
A3D320.12.XX								2,5	2,2	-	1096,99	941,83	-
A3D340.06.XX	185	87	340	37	272	665,00	1/4"	5,0	4,7	821,79	867,15	-	
A3D340.08.XX								4,2	3,9	843,61	868,46	-	
A3D340.10.XX								4,0	3,7	-	1031,51	893,05	-
A3D340.12.XX								2,5	2,2	-	1118,02	962,87	-
A3D370.06.XX	185	87	370	37	272	732,00	1/4"	6,0	5,7	909,88	964,32	-	
A3D370.08.XX								5,3	5,0	941,83	973,13	-	
A3D370.10.XX								4,5	4,2	-	1140,64	980,88	-
A3D370.12.XX								3,5	3,2	-	1275,15	1084,63	-
A3D400.06.XX	185	87	400	47	272	752,00	1/4"	7,3	7,0	956,95	1023,22	-	
A3D400.08.XX								6,5	6,2	995,48	1033,87	-	
A3D400.10.XX								5,6	5,3	-	1252,93	1046,36	-
A3D400.12.XX								4,5	4,2	-	1383,62	1157,73	-
A3D420.06.XX	185	87	420	47	322	833,00	1/4"	8,6	8,1	1065,82	1143,93	-	
A3D420.08.XX								8,0	7,5	1119,34	1166,67	-	
A3D420.10.XX								6,7	6,2	-	1427,01	1173,64	-
A3D420.12.XX								4,7	4,2	-	1483,16	1250,30	-

MAX
40 l/min

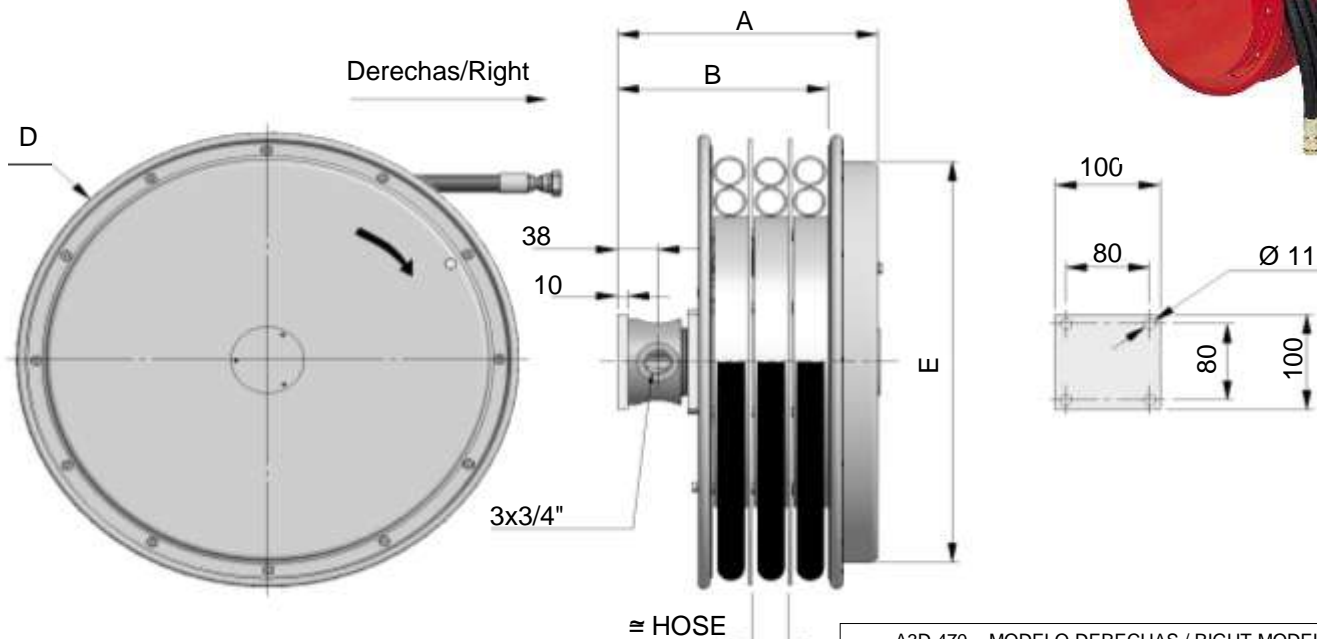
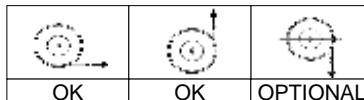
W. P. 300 bar
Option 400 bar

MAX HOSE SPEED
30 m/min

A3D 470 = MODELO DERECHAS / RIGHT MODEL
A3S 470 = MODELO IZQUIERDAS / LEFT MODEL
Es. ORD: A3D470.10.R7

Modelo derechas Right model	A	B	D	E	F	sin tubo without hose EURO	Con tubo - with hose					
							Ø	Long.total	Long.util	R7	B1	B3
								Total length m	Usable length	XX=R7 EURO	XX=B1 EURO	XX=B3 EURO
A3D470.06.XX	195	97	478	47	322	923,00	1/4"	11,5	11,0	1216,24	1320,64	-
A3D470.08.XX							5/16"	10,0	9,5	1265,29	1324,46	-
A3D470.10.XX							3/8"	9,5	9,0	-	1379,28	1923,37
A3D 470.12.XX							250	127	-	-	1496,70	1952,96
A3D520.06.XX	195	97	520	47	322	1.047,00	1/4"	14,5	14,0	1402,95	1534,57	-
A3D520.08.XX							5/16"	12,5	12,0	1459,62	1533,52	-
A3D520.10.XX							3/8"	11,2	10,7	-	1573,62	2200,02
A3D520.12.XX							250	127	-	-	1701,03	2228,02
A3D570.06.XX	195	97	570	57	422	1.077,00	1/4"	17,5	17,0	1496,31	1655,14	-
A3D570.08.XX							5/16"	15,5	15,0	1574,67	1666,32	-
A3D570.10.XX							3/8"	13,5	13,0	-	1699,32	2437,48
A3D570.12.XX							250	127	-	-	1824,36	2431,56
A3D600.06.XX	195	97	620	57	422	1.223,00	1/4"	21,0	20,5	1715,89	1906,41	-
A3D600.08.XX							5/16"	17,0	16,5	1762,96	1863,55	-
A3D600.10.XX							3/8"	16,0	15,5	-	1949,14	2808,53
A3D600.12.XX							250	127	-	-	2067,35	2759,62
A3D650.06.XX	195	97	650	57	422	1.257,00	1/4"	22,5	22,0	1781,63	1985,83	-
A3D650.08.XX							5/16"	19,5	19,0	1867,89	1983,20	-
A3D650.10.XX							3/8"	17,5	17,0	-	2045,65	2977,89
A3D650.12.XX							250	127	-	-	2212,25	2998,93
A3D700.06.XX	195	97	720	57	422	1.478,00	1/4"	27,0	26,5	2097,20	2342,15	-
A3D700.08.XX							5/16"	22,0	21,5	2159,39	2289,56	-
A3D700.10.XX							3/8"	20,0	19,5	-	2370,42	3423,89
A3D700.12.XX							250	127	-	-	2515,19	3372,61
A3D800.08.XX	195	97	820	57	532	1.820,00	5/16"	30,0	29,0	2727,41	2904,91	-
A3D800.10.XX							3/8"	26,0	25,0	-	2961,58	4306,16
A3D800.12.XX							250	127	-	-	3131,86	4225,29
A3D900.08.XX	195	97	920	57	532	2.195,00	5/16"	38,0	37,0	3328,30	3553,14	-
A3D900.10.XX							3/8"	34,0	33,0	-	3668,71	5401,43
A3D900.12.XX							250	127	-	-	3911,83	5335,69

MAX
80 l/min

W. P. 300 bar
Option 400 bar

MAX HOSE SPEED
30 m/min


A3D 470 = MODELO DERECHAS / RIGHT MODEL
A3S 470 = MODELO IZQUIERDAS / LEFT MODEL
Es. ORD: A3D470.19.12.1SN

Modelo derechas Right model	A	B	D	E	sin tubo without hose EURO	Con tubo - with 1SN / 2SN hose				Con tubo - with 4SP hose			
						Ø	Long.total	Long.util	1SN	2SN	Long.total	Long.util	4 SP
							Total length m	Usable length m	XX=1SN EURO	XX=2SN EURO	Total length m	Usable length m	XX=4 SP EURO
A3D420.19.12.XX	246	209	420	322	1679,00	1/2"	2,6	2,1	1894,31	1917,85	2,6	2,1	2074,71
A3D420.19.16.XX						5/8"	2,6	2,1	1945,07	1999,37	2,6	2,1	2135,85
A3D420.19.19.XX						3/4"	2,6	2,1	1997,27	2039,21	1,8	1,3	2084,71
A3D470.19.12.XX	246	209	478	422	1795,00	1/2"	4,5	4,0	2084,18	2124,94	4,0	3,5	2342,29
A3D470.19.16.XX						5/8"	4,0	3,5	2125,33	2208,96	4,0	3,5	2418,81
A3D470.19.19.XX						3/4"	4,0	3,5	2189,63	2254,32	3,0	2,5	2353,73
A3D520.19.12.XX	246	209	520	422	1912,00	1/2"	5,5	5,0	2240,25	2290,09	5,5	5,0	2622,09
A3D520.19.16.XX						5/8"	5,5	5,0	2311,65	2426,57	4,5	4,0	2595,66
A3D520.19.19.XX						3/4"	4,2	3,7	2317,70	2385,54	4,2	3,7	2624,19
A3D570.19.12.XX	256	209	570	422	2108,00	1/2"	7,2	6,7	2502,57	2567,92	7,2	6,7	3002,34
A3D570.19.16.XX						5/8"	7,2	6,7	2586,06	2736,48	6,0	5,5	2970,79
A3D570.19.19.XX						3/4"	5,9	5,4	2606,84	2702,16	5,9	5,4	3037,32
A3D600.19.12.XX	256	209	620	422	2184,00	1/2"	10,0	9,5	2688,09	2778,82	9,0	8,5	3273,86
A3D600.19.16.XX						5/8"	9,5	8,7	2768,43	2966,97	7,5	7,0	3226,40
A3D600.19.19.XX						3/4"	7,6	7,1	2776,32	2899,13	7,3	6,8	3292,53
A3D700.19.12.XX	256	209	720	422	2511,00	1/2"	15,0	14,5	3210,75	3346,84	13,0	12,5	4035,16
A3D700.19.16.XX						5/8"	13,4	12,9	3275,83	3555,90	11,5	11,0	4031,88
A3D700.19.19.XX						3/4"	10,0	9,5	3235,21	3396,93	10,0	9,5	3964,95
A3D800.19.12.XX	256	209	820	532	2861,00	1/2"	20,0	19,0	3755,76	3937,21	17,0	16,0	4818,82
A3D800.19.16.XX						5/8"	16,0	15,0	3745,50	4080,00	16,0	15,0	4919,41
A3D800.19.19.XX						3/4"	14,5	13,5	3831,76	4066,19	14,0	13,0	4825,92