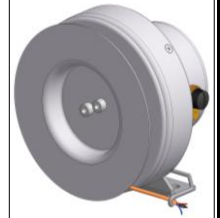
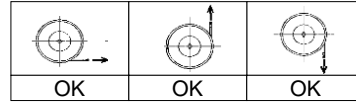


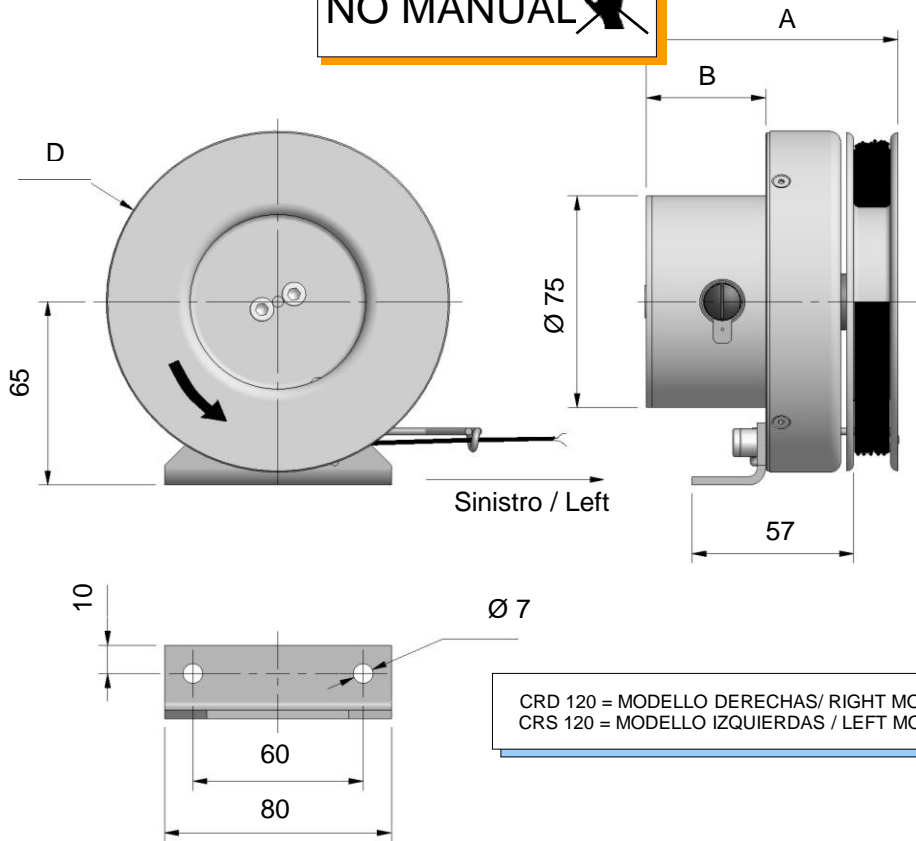
IP 65

MAX 75 V

-20 / +60°C



**NO MANUAL**



CRD 120 = MODELLO DERECHAS / RIGHT MODEL  
CRS 120 = MODELLO IZQUIERDAS / LEFT MODEL

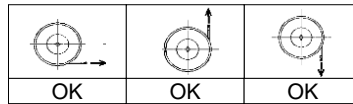
Cable			A	B	D	CODIGO	EURO	EURO
Tipo/Type	Ø mm	mt.	mm				Sin cable	Con cable
2x0,25 mm <sup>2</sup>		3,3	88	35	120	CRD120.0202533	365,00	422,00
3x0,25 mm <sup>2</sup>		3,3	110	57	120	CRD120.0302533	422,00	478,00



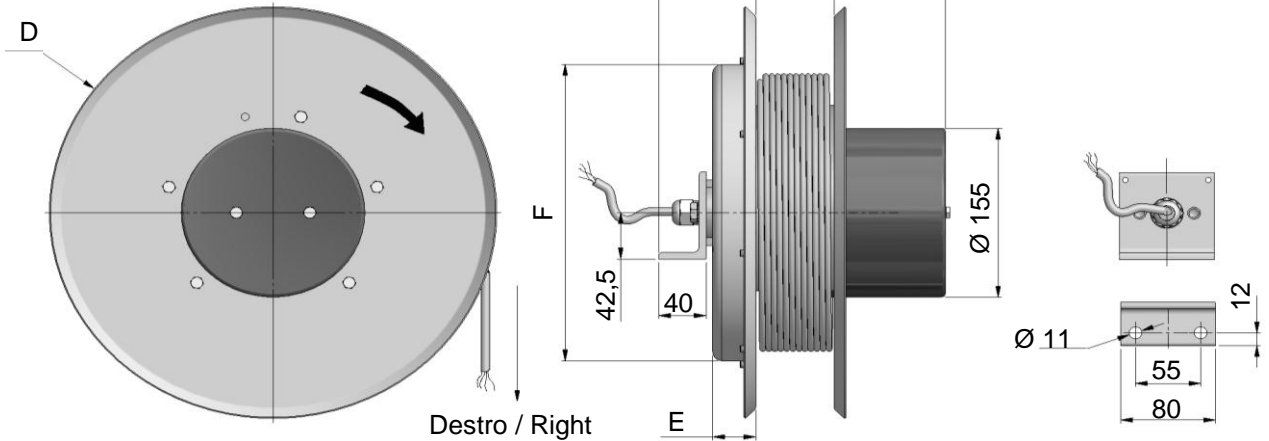
IP 65

75 V  
MAX  
5 A

-20 / +60°C



**NO MANUAL**



Destro / Right

CRD 520 = MODELO DERECHAS / RIGHT MODEL  
CRS 520 = MODELO IZQUIERDAS / LEFT MODEL

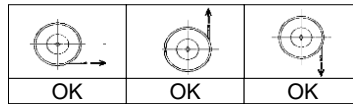
Cable			A	B	C	D	E	F	Use horizontal Horizontal use	Use vertical - Vertical use		
Tipo/Type	ø mm	mt.	mm						CODIGO / CODE	EURO	CODIGO / CODE	EURO
2x1 mm <sup>2</sup>	6,0	5	161	82	-	235	30	228	CRD230.021005	617,46	CRD230.021005/V	616,80
		10	161	82	-	235	30	228	CRD230.021010	681,88	CRD230.021010/V	681,88
		15	161	82	-	370	37	322	CRD370.021015	844,93	CRD370.021015/V	844,93
		27	161	92	-	422	37	322	CRD420.021027	921,45	CRD420.021027/V	1058,20
		32	161	92	-	478	47	322	CRD470.021032	1130,51	CRD470.021032/V	1271,20
		36	161	92	-	520	47	322	CRD520.021036	1313,80	CRD520.021036/V	-
3x1 mm <sup>2</sup>	7,3	8	150	82	-	235	30	228	CRD230.031008	685,57	CRD230.031008/V	685,57
		10	210	82	-	275	37	272	CRD270.031010	756,83	CRD270.031010/V	756,83
		15	210	82	-	370	37	322	CRD370.031015	911,98	CRD370.031015/V	911,98
		25	220	92	-	422	37	322	CRD420.031025	986,93	CRD420.031025/V	1172,33
		40	220	92	-	620	47	422	CRD600.031040	2270,23	CRD600.031040/V	-
4x1 mm <sup>2</sup>		12	174	82	-	370	37	322	CRD370.041012	853,34	CRD370.041012/V	-
6x1 mm <sup>2</sup>	10,0	5	230	82	-	235	30	228	CRD230.061005	956,03	CRD230.061005/V	956,03
		15	250	82	-	370	37	322	CRD370.061015	1186,13	CRD370.061015/V	1186,13
		20	260	92	-	478	47	322	CRD470.061020	1602,28	CRD470.061020/V	1739,03
		25	260	92	-	520	47	322	CRD520.061025	1689,72	CRD520.061025/V	1880,38
		30	260	92	-	620	47	422	CRD600.061030	1941,52	CRD600.061030/V	2146,64
		35	260	92	-	720	47	532	CRD700.061035	2028,96	CRD700.061035/V	-
7x1 mm <sup>2</sup>	10,5	10	250	82	-	340	37	272	CRD340.071010	1187,05	CRD340.071010/V	1187,05
		18	250	82	-	370	37	322	CRD370.071018	1254,64	CRD370.071018/V	1254,64
		25	260	92	-	520	47	322	CRD520.071025	1762,30	CRD520.071025/V	1967,42
8x1 mm <sup>2</sup>	11	10	250	82	-	340	37	272	CRD340.081010	1227,29	CRD340.081010/V	1227,29
		18	260	82	-	370	37	322	CRD370.081018	1339,31	CRD370.081018/V	1339,31
		25	260	92	-	520	47	322	CRD520.081025	1822,92	CRD520.081025/V	1959,66



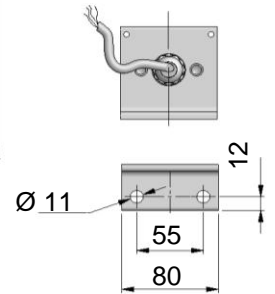
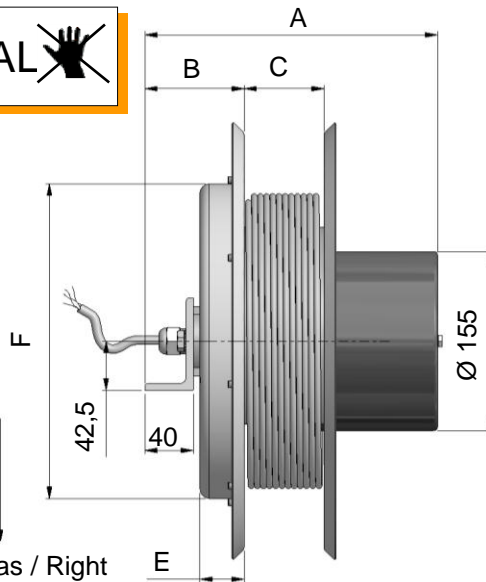
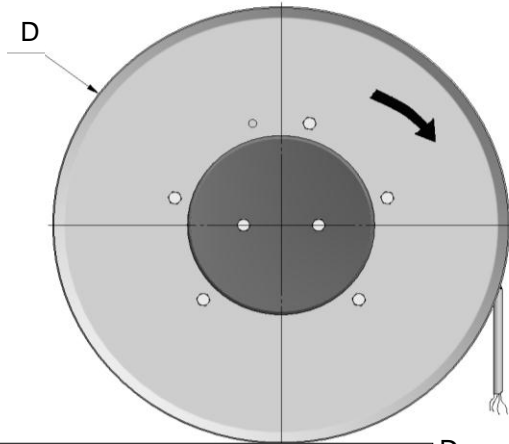
IP 65

75 V  
MAX

-20 / +60°C



**NO MANUAL**



CRD 520 = MODELO DERECHAS / RIGHT MODEL  
CRS 520 = MODELO IZQUIERDAS / LEFT MODEL

Derechas / Right

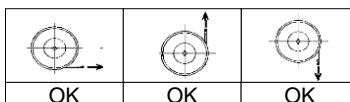
Cable			A	B	C	D	E	F	Uso horizontal Horizontal use	Uso vertical - Vertical use		
Tipo/Type	ø mm	mt.	mm						CODIGO	EURO	CODIGO	EURO
12x1 mm <sup>2</sup>	13	10	285	82	-	370	37	322	CRD370.121010	1555,36	CRD370.121010/V	1554,95
		15	285	92	-	478	47	322	CRD470.121015	1673,44	CRD470.121015/V	1671,97
		20	285	92	-	500	47	322	CRD500.121020	1970,24	CRD500.121020/V	2174,25
		25	295	92	-	570	47	422	CRD570.121025	2092,15	CRD570.121025/V	2295,21
		32	295	92	-	720	47	532	CRD700.121032	2435,93	CRD700.121032/V	2667,58
16x1 mm <sup>2</sup>	15,3	10	340	82	-	370	37	322	CRD370.161010	1808,63	CRD370.161010/V	1807,14
		15	340	92	-	520	47	322	CRD520.161015	1961,18	CRD520.161015/V	2165,44
		20	350	92	-	570	47	422	CRD570.161020	2307,77	CRD570.161020/V	2513,22
		30	350	92	-	720	47	532	CRD700.161030	2600,10	CRD700.161030/V	2803,80
		40				800			CRD800.161035	3103,06	CRD800.161035/V	-
20x1 mm <sup>2</sup>	15	10	360	82	-	370	37	322	CRD370.201010	2117,30	CRD370.201010/V	2114,29
		20	360	92	-	570	47	422	CRD570.201020	2634,56	CRD570.201020/V	2823,00
24x1 mm <sup>2</sup>	15,5	10	380	82	-	400	37	322	CRD400.241010	2260,02	CRD400.241010/V	2257,35
		15	380	92	-	520	47	322	CRD520.241015	2414,49	CRD520.241015/V	2642,60
		20	380	92	-	570	47	422	CRD570.241020	2775,75	CRD570.241020/V	2976,57
		25	390	92	-	620	47	422	CRD600.241025	2927,66	CRD600.241025/V	3127,78
30x1 mm <sup>2</sup>	17,3	15	390	92	-	500	47	322	CRD500.301015	3894,78	CRD500.301015/V	4098,41
32x1 mm <sup>2</sup>	18,8	5	390	92	-	478	47	322	CRD470.321005	3401,01	CRD470.321005/V	3398,64
		12	390	92	-	520	47	322	CRD520.321012	4140,65	CRD520.321012/V	4343,50
		20	390	92	-	620	47	422	CRD600.321020	5227,77	CRD600.321020/V	5428,78
		25			-	650	47	422	CRD650.321025	5774,14	CRD650.321025/V	-
36x1 mm <sup>2</sup>	18,8	15			-	570	47	422	CRD570.361015	4995,43	CRD570.361015/V	-
		25			-	650	47	422	CRD650.361025	6048,60	CRD650.361025/V	-



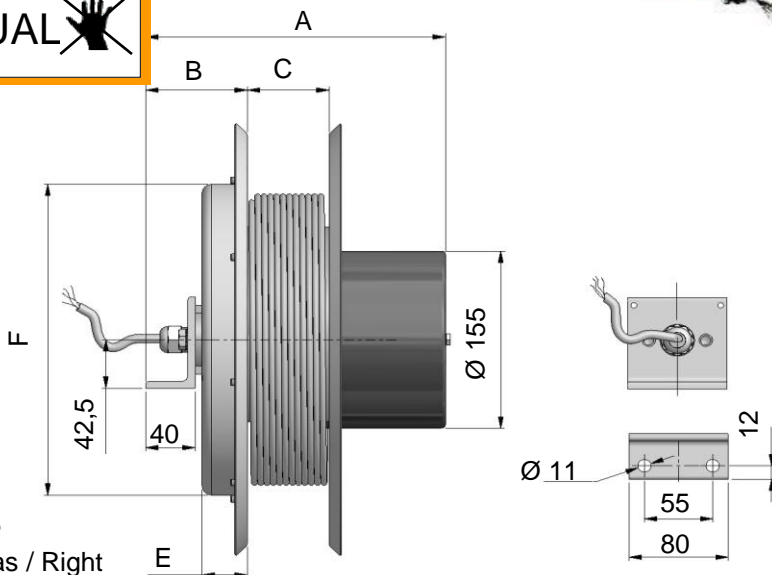
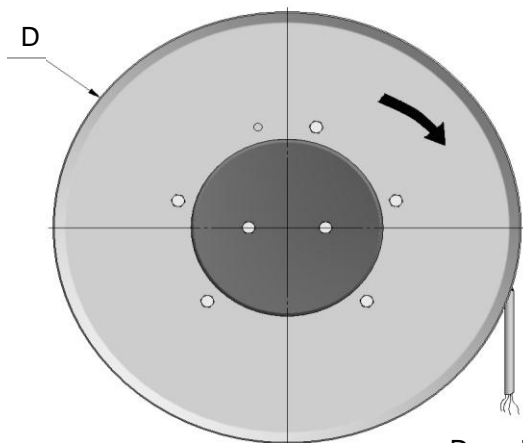
IP 65

75 V  
MAX

-20 / +60°C



**NO MANUAL**



Derechas / Right

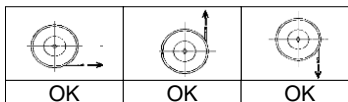
CRD 520 = MODELO DERECHAS / RIGHT MODEL  
CRS 520 = MODELO IZQUIERDAS / LEFT MODEL

Cable			A	B	C	D	E	F	Use horizontal Horizontal use	Use vertical - Vertical use		
Tipo/Type	ø mm	mt.	mm						CODE	EURO	CODE	EURO
2x1,5 mm <sup>2</sup>	8,0	6	161	82	-	235	30	228	CRD230.021506	623,51	CRD230.021506/V	623,51
		10	161	82	-	275	37	272	CRD270.021510	688,46	CRD270.021510/V	688,46
		15	161	82	-	370	37	322	CRD370.021515	855,45	CRD370.021515/V	855,45
		25	161	92	-	420	47	322	CRD420.021525	935,65	CRD420.021525/V	1072,40
		30	161	92	-	478	47	422	CRD470.021530	1146,03	CRD470.021530/V	1282,77
		45	161	92	-	820	47	422	CRD800.021545	2434,59	CRD800.021545/V	-
3x1,5 mm <sup>2</sup>	8,0	6	150	82	-	235	30	228	CRD230.031506	691,88	CRD230.031506/V	691,88
		10	210	82	-	275	37	272	CRD270.031510	764,72	CRD270.031510/V	764,72
		15	210	82	-	370	37	322	CRD370.031515	923,82	CRD370.031515/V	923,82
		25	210	92	-	420	47	322	CRD420.031525	1004,02	CRD420.031525/V	1140,77
		30	220	92	-	478	47	422	CRD470.031530	1214,40	CRD470.031530/V	1351,15
		45	220	92	-	820	47	532	CRD800.031545	2467,46	CRD800.031545/V	-
4x1,5 mm <sup>2</sup>	9,3	5	230	82	-	235	30	228	CRD230.041505	761,43	CRD230.041505/V	761,43
		10	230	82	-	295	37	322	CRD295.041510	835,72	CRD295.041510/V	835,72
		15	230	82	-	370	37	322	CRD370.041515	995,48	CRD370.041515/V	995,48
		20	240	92	-	420	47	322	CRD420.041520	1136,83	CRD420.041520/V	1285,40
		25	240	92	-	520	47	422	CRD520.041525	1408,34	CRD520.041525/V	1563,50
		30	240	92	-	620	47	532	CRD600.041530	1673,29	CRD600.041530/V	1878,40
		35	240	92	-	720	47	532	CRD700.041535	1956,64	CRD700.041535/V	-
		40	240	92	-	820	47	532	CRD800.041540	2595,00	CRD800.041540/V	-
7x1,5 mm <sup>2</sup>	11,7	10	250	82	-	340	37	322	CRD340.071510	1203,88	CRD340.071510/V	1203,88
		15	250	92	-	370	37	322	CRD370.071515	1273,57	CRD370.071515/V	1273,57
		20	260	92	-	520	47	422	CRD520.071520	1689,07	CRD520.071520/V	1892,87
		25	260	92	-	570	47	422	CRD570.071525	1794,25	CRD570.071525/V	1999,37
		35	270	92	-	720	47	532	CRD700.071535	2138,75	CRD700.071535/V	-

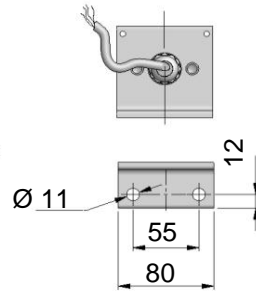
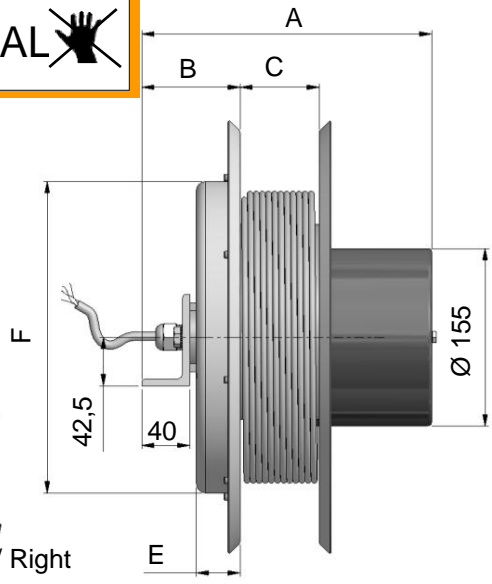
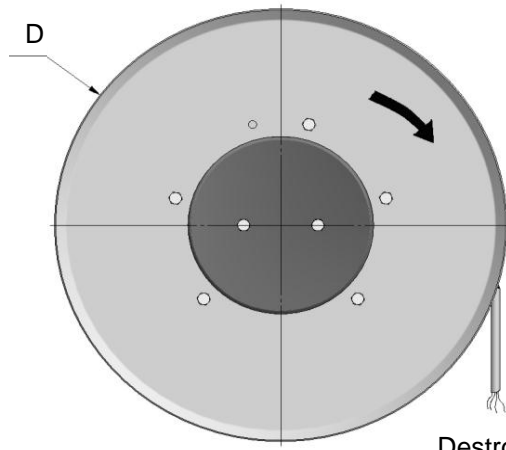
IP 65

75 V  
MAX

-20 / +60°C



**NO MANUAL** 



Destro / Right

CRD 520 = MODELO DERECHAS/ RIGHT MODEL  
CRS 520 = MODELO IZQUIERDAS / LEFT MODEL

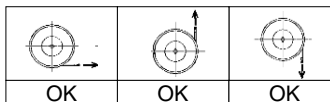
Cable			A	B	C	D	E	F	Use Horizontal Horizontal use	Use vertical - Vertical use		
Tipo/Type	ø mm	mt.	mm						CODIGO	EURO	CODIGO	EURO
12x1,5 mm <sup>2</sup>	14,7	10	285	92	-	400	37	322	CRD400.121510	1626,85	CRD400.121510/V	1626,85
		15	285	92	-	520	47	422	CRD520.121515	1780,04	CRD520.121515/V	1985,56
		20	285	92	-	520	47	422	CRD520.121520	2064,71	CRD520.121520/V	2270,23
		30	295	92	-	720	47	532	CRD700.121530	2409,38	CRD700.121530/V	2614,91
		35	295	92	-	820	47	532	CRD800.121535	2837,03	-	-
16x1,5 mm <sup>2</sup>	16,6	10	340	92	-	478	47	322	CRD470.161510	1926,84	CRD470.161510/V	1926,84
		15	340	92	-	520	47	422	CRD520.161515	2160,45	CRD520.161515/V	2160,45
		20	350	92	-	570	47	422	CRD570.161520	2441,29	CRD570.161520/V	2646,82
		25	350	92	-	620	47	532	CRD600.161525	2602,14	CRD600.161525/V	2807,67
		35	350	92	-	820	47	532	CRD800.161535	3232,76	-	-
20x1,5 mm <sup>2</sup>	20,0	20	360	92	-	620	47	532	CRD600.201520	2964,94	CRD600.201520/V	3170,46
		30	360	92	-	720	47	532	CRD700.201530	3741,09	CRD700.201530/V	3946,61
24x1,5mm <sup>2</sup>	20,0	10	380	92	-	520	47	422	CRD520.241510	2477,29	CRD520.241510/V	2477,29
		15	380	92	-	570	47	422	CRD570.241515	2884,51	CRD570.241515/V	2884,51
		20	380	92	-	620	47	532	CRD600.241520	3096,42	CRD600.241520/V	3349,18
		25	390	92	-	720	47	532	CRD700.241525	3347,91	CRD700.241525/V	3619,81
		30	390	92	-	820	47	532	CRD800.241530	3880,23	CRD800.241530/V	4150,86
		40	390	92	-	820	47	532	CRD800.241540	4741,91	-	-
36x1,5 mm <sup>2</sup>		13	350	92	-	570	47	422	CRD570.361513	5098,58	-	-



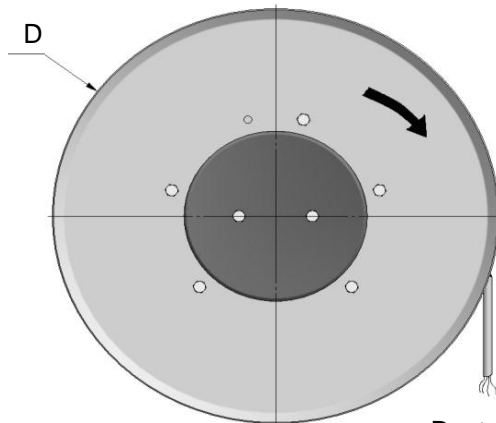
IP 65

75 V  
MAX

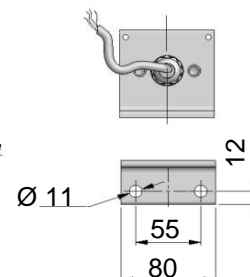
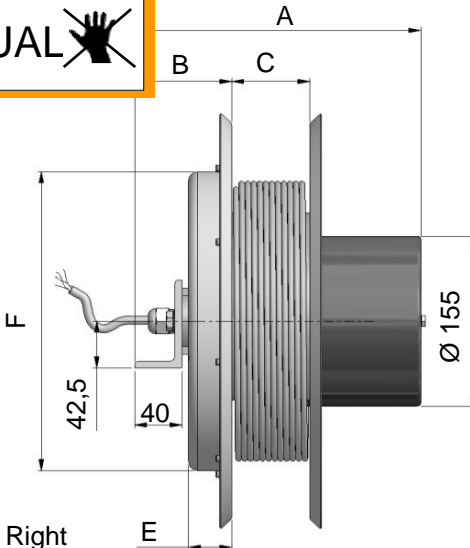
-20 / +60°C



**NO MANUAL**



Destro / Right



CRD 520 = MODELO DERECHAS/ RIGHT MODEL  
CRS 520 = MODELO IZQUIERDAS / LEFT MODEL

Cable		A	B	C	D	E	F	Use Horizontal Horizontal use	Use vertical - Vertical use			
Tipo/Type	ø mm	mt.	mm					CODIGO	EURO	CODIGO	EURO	
3x2,5 mm <sup>2</sup>	10,2	6	170	82	-	295	37	272	CRD 295.032506	963,00	CRD 295.032506/V	963,00
		10	170	82	-	370	37	322	CRD 370.032510	1024,54	CRD 370.032510/V	1024,54
		15	170	82	-	370	37	322	CRD 370.032515	1055,44	CRD 370.032515/V	1055,44
		20	180	92	-	478	47	422	CRD 470.032520	1162,60	CRD 470.032520/V	1162,60
		30	180	92	-	620	47	532	CRD 600.032530	1505,77	CRD 600.032530/V	1697,74
4x2,5 mm <sup>2</sup>	11,0	6	180	82	-	295	37	272	CRD 295.042506	1005,08	CRD 295.042506/V	1005,08
		10	180	82	-	370	37	322	CRD 370.042510	1103,43	CRD 370.042510/V	1103,43
		15	180	82	-	370	37	322	CRD 370.042515	850,45	CRD 370.042515/V	850,45
		20	190	92	-	478	47	422	CRD 470.042520	1445,29	CRD 470.042520/V	1445,29
		25	190	92	-	520	47	422	CRD 520.042525	1495,26	CRD 520.042525/V	1638,57
		30	200	92	-	620	47	532	CRD 600.042530	1838,43	CRD 600.042530/V	2015,94
		35	210	92	-	720	47	532	CRD 700.042535	2188,18	-	-
5x2,5 mm <sup>2</sup>	13,0	10	190	82	-	370	37	322	CRD 370.052510	1217,82	CRD 370.052510/V	1217,82
		15	190	82	-	478	47	422	CRD 470.052515	1528,78	CRD 470.052515/V	-
		20	200	92	-	520	47	422	CRD 520.052520	1596,50	CRD 520.052520/V	1764,80
		30	210	92	-	720	47	532	CRD 700.052530	2033,03	CRD 700.052530/V	2114,55
7x2,5 mm <sup>2</sup>	14,0	10	220	82	-	400	37	322	CRD 400.072510	1466,07	CRD 400.072510/V	1466,07
		20	230	92	-	520	47	422	CRD 520.072520	1924,95	CRD 520.072520/V	2066,95
		25	230	92	-	570	47	422	CRD 570.072525	2151,11	CRD 570.072525/V	2365,43
		40	250	92	-	820	47	532	CRD 800.072540	2661,27	-	-
12x2,5 mm <sup>2</sup>	17,7	10	280	92	-	478	47	422	CRD 470.122510	1988,33	CRD 470.122510/V	2059,33
		20	290	92	-	720	47	532	CRD 700.122520	2535,31	CRD 700.122520/V	2669,42
		30	290	92	-	820	47	532	CRD 800.122530	2979,73	CRD 800.122530/V	-